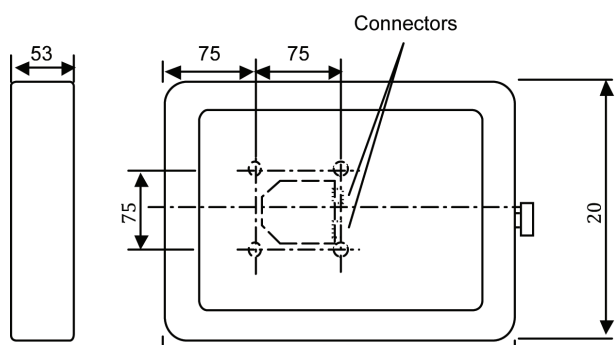


## D10



### Connectors

- 2 4 pos. Mini Fit Jr socket housings
- RJ45 for LVDS

### Casing

- Outer dimensions, see illustration above
- 4 mm hardened glass

### Interfaces, etc.

- LVDS

### Example of Functions

- Display driver information such as:
  - driver's guidance,
  - schedule information and adherence,
  - control and indication symbols
  - present sign settings
  - ELSY information
  - etc.
- Display camera images
- Video recorder settings user interface
- Adjustable backlight

### Performance

- Supply voltage normal operation 12 V
- Current consumption 1.5 at 12 V, active mode
- Operating temperature -20 to +70 °C
- Weight 1.9 kg
- Display dimension 10.4"
- Display colours Full-colour
- Active area 211 x 158 mm
- Resolution 800 x 600 dots
- Viewing angle
  - (horizontal) 70°/70° (right/left)
  - (vertical) 50°/60° (U/D)
- Backlight 400 cd/m2  
50 000 h life of backlighting

Complies with:

- 2004/104/EC, annex 9 & 10 (immunity)
- 2004/104/EC, annex 7, 8 & 10 (emission)

### Used with<sup>1</sup>

- Any Thoreb vehicle computer
- Thoreb video recorders
- Thoreb cameras

<sup>1</sup> See separate leaflet